

PLEASE CHECK WWW.MOLEX.COM FOR LATEST PART INFORMATION

Part Number: [0190090006](#)
Status: **Active**
Description: VibraKrimp™ Quick Disconnect Flag, Female, for 18-22 AWG Wire, Mylar Tape Carrier

Documents:

[Drawing \(PDF\)](#) [RoHS Certificate of Compliance \(PDF\)](#)
[Product Specification PS-19902-005 \(PDF\)](#)

Agency Certification

CSA LR18689
 UL E79133

General

Product Family Quick Disconnects
 Series [19009](#)
 Comments Wire Grip
 Crimp Quality Equipment Yes
 Product Name VibraKrimp™
 Type Quick Disconnect

Physical

Barrel Type Closed
 Gender Female
 Glow-Wire Compliant No
 Insulation None
 Lock to Mating Part None
 Material - Metal Brass
 Orientation Flag
 Packaging Type Adhesive Tape on Reel
 Polarized to Mating Part No
 Tab Thickness 0.51mm (.020")
 Tab Width 4.75mm (.187")
 Temperature Range - Operating Per Wire Specification
 Wire Insulation Diameter 3.43mm (.135")
 Wire Size AWG 18, 20, 22
 Wire Size mm² 0.35 - 0.80

Electrical

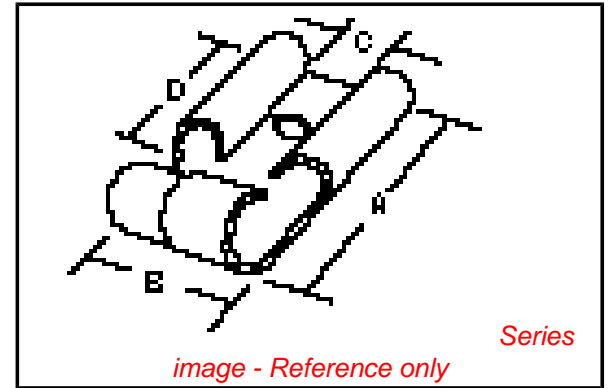
Voltage - Maximum Per Wire Specification

Material Info

Old Part Number AA-4170T

Reference - Drawing Numbers

Product Specification PS-19902-005
 Sales Drawing CDFGS187



EU RoHS

ELV and RoHS Compliant
REACH SVHC Contains SVHC: No
Halogen-Free Status
Not Reviewed

China RoHS



Need more information on product environmental compliance?

Email productcompliance@molex.com
 For a multiple part number RoHS Certificate of Compliance, [click here](#)

Please visit the [Contact Us](#) section for any non-product compliance questions.

Search Parts in this Series

[19009Series](#)

Application Tooling | [FAQ](#)

Tooling specifications and manuals are found by selecting the products below. Crimp Height Specifications are then contained in the Application Tooling Specification document.

Global

Description	Product #
Crimp Dies for the ATP-301 Air Crimping Press for Mylar Tape Mounted Terminals	0190270049

6

5

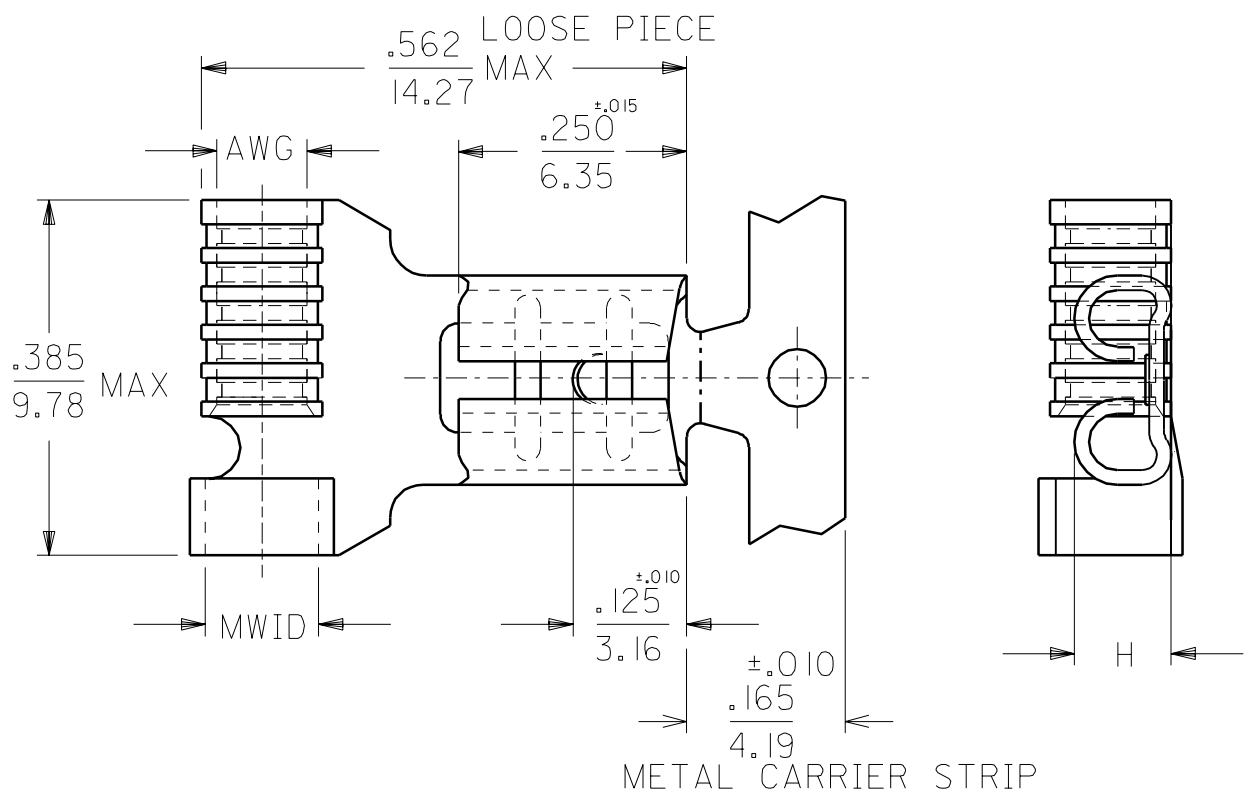
4

3

2

1

DRWG. NO. CUST. DRWG.



METAL STRIP PART NO.	LOOSE PART NO.	DIMENSIONS			
		AWG	MWID	"H" MAX	TAB SIZE
AAZ-4170	AA-4170	22-18	.135/3.43	.121/3.07	.187X.020
BBZ-4171	BB-4171	16-14	.145/3.68	.121/3.07	.187X.020
AAZ-4170-032	AA-4170-032	22-18	.135/3.43	.131/3.33	.187X.032
BBZ-4171-032	BB-4171-032	16-14	.145/3.68	.131/3.33	.187X.032

LTR.	REVISIONS

NOTES:
1. ALL DIMENSIONS = INCHES/MM

DIMENSIONS SHOWN (METRIC) INCH	
UNLESS OTHERWISE SPECIFIED TOLERANCES: ANGULAR $\pm 1/2^\circ$	
	INCH METRIC
3 PLACE	$\pm .005$ ± 0.13
2 PLACE	$\pm .01$ ± 0.25
1 PLACE	$\pm ---$ $\pm ---$
DRAFT WHERE APPLICABLE MUST REMAIN WITHIN DIMENSIONS	
DRWG. BY RM	CHK'D. BY JM
APP'D. BY FP	SCALE 5: 1

REVISE ONLY ON CAD SYSTEM

TITLE
FLAG NON-INSULATED WITH INSULATION SUPPORT
.187X.020 & .032 TAB

molex ETC INC. PINELLAS PARK, FLA. 33781 U.S.A.		SHEET NO.	DATE
PART NO.		DRWG. NO.	03/06/90

CUST. DRWG.

FILE NAME CDFGS187	THIS DRAWING CONTAINS INFORMATION THAT IS PROPRIETARY TO MOLEX-ETC INC. AND SHOULD NOT BE USED WITHOUT WRITTEN PERMISSION.	DIV.	SIZE A
-----------------------	--	------	-----------

6

5

4

3

2

1